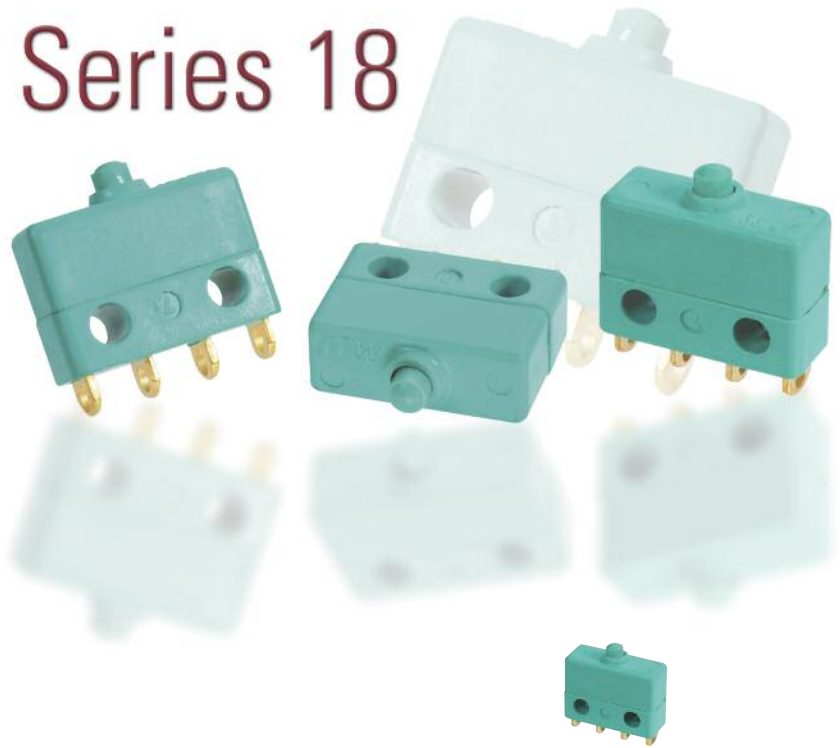


Series 18

ULTRA SUB-MINIATURE 7 AMP DOUBLE-BREAK SNAP ACTION SWITCHES

Series 18 switches feature the Butterfly® double-break momentary switch mechanism. This very small package can carry a full 7 amp load (or low current load).



ACTUAL SIZE

APPLICATIONS

- Industrial valve controls
- Aircraft rotary actuator
- Aircraft linear actuator
- Float control pumps
- Spool valves
- Medical equipment
- Aircraft fuel valves
- Pressure switches

KEY FEATURES:

- Gold contacts
- Solder terminals
- Meets MIL-S-8805/76
- UL recognized and CSA certified: 7 amps @ 125/250 VAC
- Lever and roller actuator are available

ORDERING INFORMATION:

Switches

Part Number	Contacts	Terminals	RoHS Compliant
18-40421	Gold Plated	End Solder	✓
18-488051 (MS27257-1)	Gold Plated	End Solder	✓

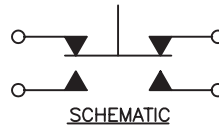
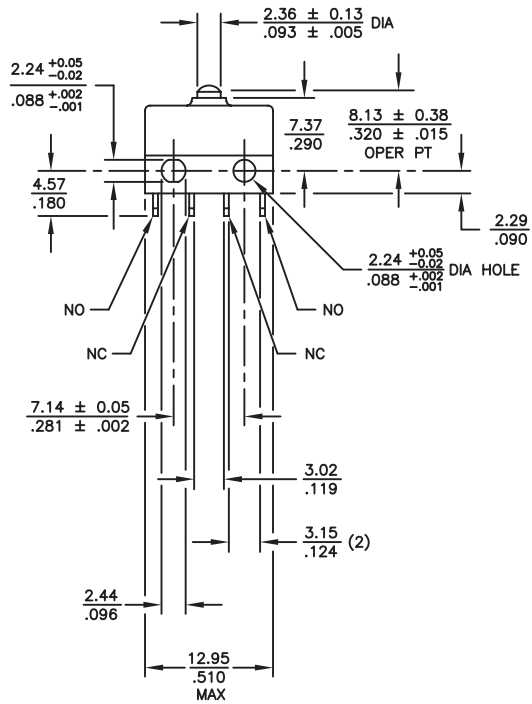
Actuator (see page 70 for additional specifications)

Part Number	Oper. Force	Release Force	Pretravel	Overtravel	Movement Diff.	Operating Point
78-3000 Spring Lever	6 ± 2 oz	2 oz min	.125 max	.030 min	.030 ± .015	.325 ± .030
78-3100 Roller Lever	6 ± 2 oz	2 oz min	.125 max	.030 min	.035 ± .015	.560±.030

STANDARDS / AGENCY / RATINGS:



PRODUCT DRAWINGS



MECHANICAL / ELECTRICAL CHARACTERISTICS:

- Pretravel:**
0.030 inches max
- Overtravel:**
0.006 inches min
- Operating Force:**
5 oz + 3 oz - 2 oz
- Release Force:**
1.5 oz min
- Movement Differential:**
0.015 inches ± 0.005
- Operating Point:**
0.320 inches ± 0.015
(from mounting hole centers)
- Circuit:**
SPDT-DB (Form Z)
- MIL-PRF-8805/77 QPL listed:**
18-488051 MS27257-1

Electrical Rating @ 28VDC:

Circuitry	Current
2 Circuit (SPDT-DB)	5 amp Res 3 amp Ind*
1 Circuit (SPST)	8 amp Res 7 amp Ind*

*L/R = .026

