

SEE PAGE 54
FOR SWITCHES

Series 18 Actuators



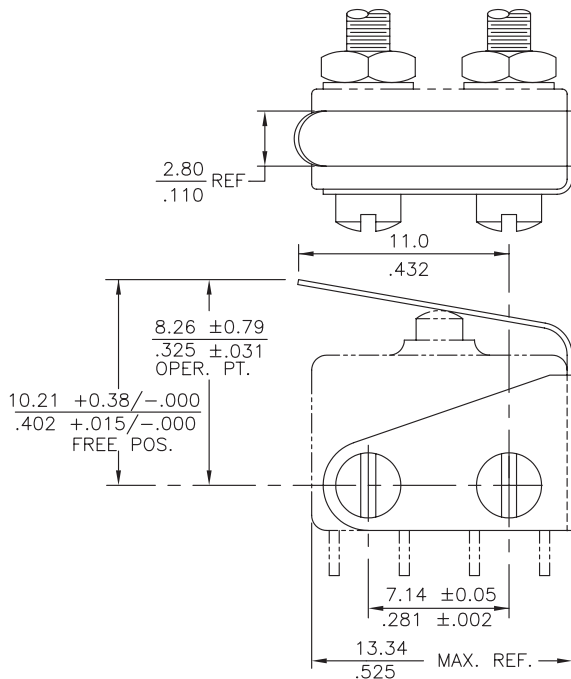
KEY FEATURES:

- Spring Lever
- Roller Lever

MECHANICAL CHARACTERISTICS:

Part Number	Oper. Force	Release Force	Pretravel	Overtravel	Movement Diff.	Operating Point
78-3000 Spring Lever	6 ± 2 oz	2 oz min	.125 max	.030 min	.030 ± .015	.325 ± .030
78-3100 Roller Lever	6 ± 2 oz	2 oz min	.125 max	.030 min	.035 ± .015	.560 ± .030

78-3000



78-3100

