

Series 39-4

0.25 AMP RIGHT-ANGLE DPST LIGHTED

This miniature pushbutton meets the needs for a cleaner trouble-free switch in confined space PC board applications. Only the terminal base is exposed to soldering and cleaning in this unique two-piece construction.



ACTUAL SIZE

APPLICATIONS

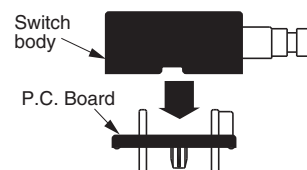
- Control panel assemblies
- Recording equipment
- Telecom switching systems
- Scientific instrumentation
- Telecom test gear

KEY FEATURES:

- Momentary or maintained action
- Wave solderable
- Lighted (T-1 LED) or non-lighted
- Unique two piece construction
- Variety of button and keycap styles

INSTALLATION:

The terminal base is installed manually, or with automatic equipment, on the PC board. It is then wave soldered along with other board components. The base is compatible with fluorinated, chlorinated and aqueous cleaning methods to remove flux. When the board and its components have been cleaned and dried, the pushbutton switch body, which has not been exposed to the contamination associated with these operations, is snapped positively onto the terminal base, where it is securely retained.



ORDERING INFORMATION:

Button Style

Part Number	LED Color *	Button Color	Action
39-422106	—	Black	Momentary
39-422508	Red	Red	Momentary
39-422607	Green	Clear	Momentary
39-422609	Green	Green	Momentary
39-422707	Yellow	Clear	Momentary
39-422710	Yellow	Yellow	Momentary
39-423508	Red	Red	Maintained
39-423609	Green	Green	Maintained

*Lighted styles have button and LED installed as required.

Keycap Style

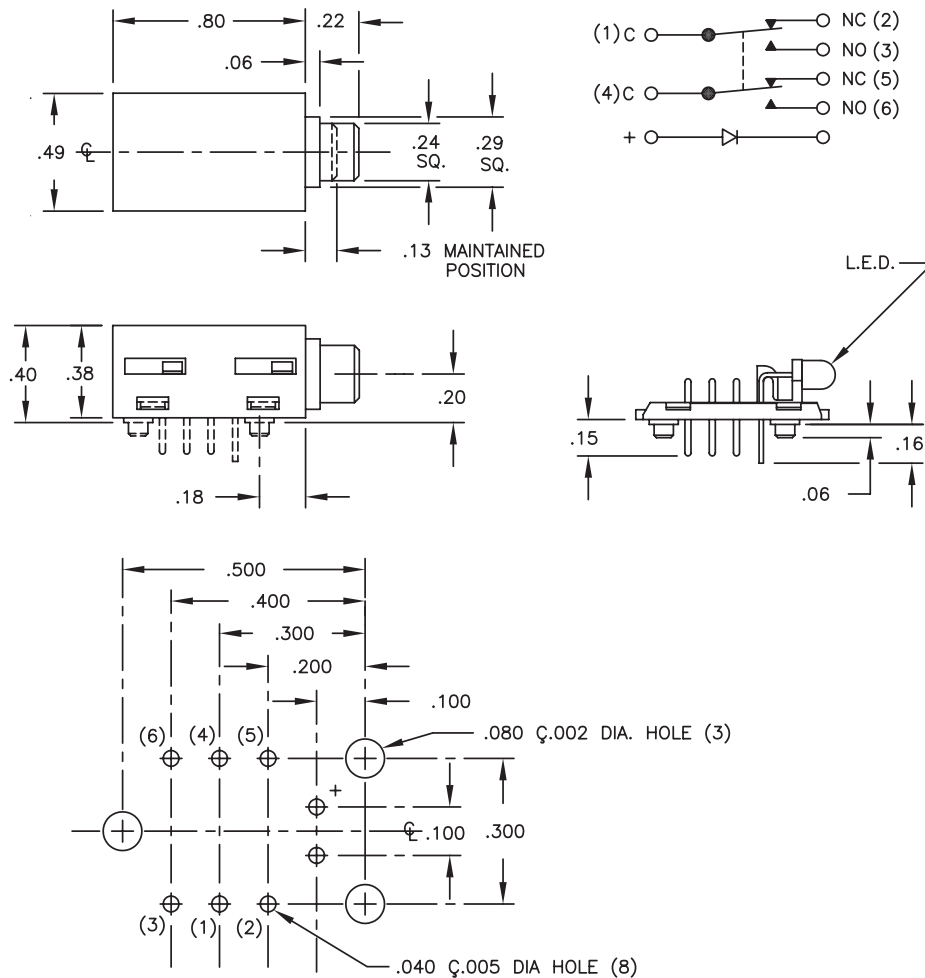
Part Number	LED Color *	Action
39-522101	—	Momentary
39-522501	Red	Momentary
39-522701	Yellow	Momentary
39-523101	—	Maintained
39-523501	Red	Maintained
39-523701	Yellow	Maintained

* Order keycap and light pipe separately (see series 39) as necessary

STANDARDS / AGENCY / RATINGS:



BUTTON STYLE



MECHANICAL / ELECTRICAL CHARACTERISTICS:

Circuit:
DPDT-SB (Form CC)

Operating force:
8 oz nominal

Total travel:
.12 nominal

Electrical rating:
.25A @ 30 VDC resistive max.

Contact Resistance:
25 mΩ max. initial
50 mΩ max. final

Contact bounce:
500 microseconds max.

Insulation resistance:
1000 MΩ min.
@ 500 VDC

Dielectric strength:
1000 VAC

Life Momentary:
250,000 cycles

Life Maintained:
25,000 cycles

RECOMMENDED P.C. BOARD HOLE PATTERN
COMPONENT SIDE

KEYCAP STYLE

