

Series 58M-SS

FULLY SEALED METAL PUSHBUTTON WITH WIRE LEADS

Built on the proven series 48 platform these rugged switches come in stainless steel or aluminum housings, solid state with either momentary or maintained action and lighted or unlighted versions. The variety of options in this compact package size make the 58M ideal for many applications: transportation, outdoor controls, security products, food processing and medical products.



ACTUAL SIZE

APPLICATIONS

- Outdoor Controls
- Kiosks
- Security Equipment
- Medical Equipment
- Food Processing Equipment
- Military Equipment
- Industrial Machinery
- Transportation: Mass-Transit, Lift Trucks

KEY FEATURES:

- Momentary or Maintained Action
- Stainless Steel or Aluminum Housing
- Non Lit or Ring Illumination
- Variety of LED colors
- Solid State
- Panel Sealed to IP67
- ROHS Compliant
- Gold Plated Contacts

ORDERING INFORMATION:

SWITCH FUNCTION:

- C.** SOLID STATE, , MOMENTARY, WIRE LEADS
D. SOLID STATE, , MAINTAINED, WIRE LEADS

HOUSING MATERIAL:

- 1.** STAINLESS STEEL
2. ALUMINUM

BUTTON STYLE:

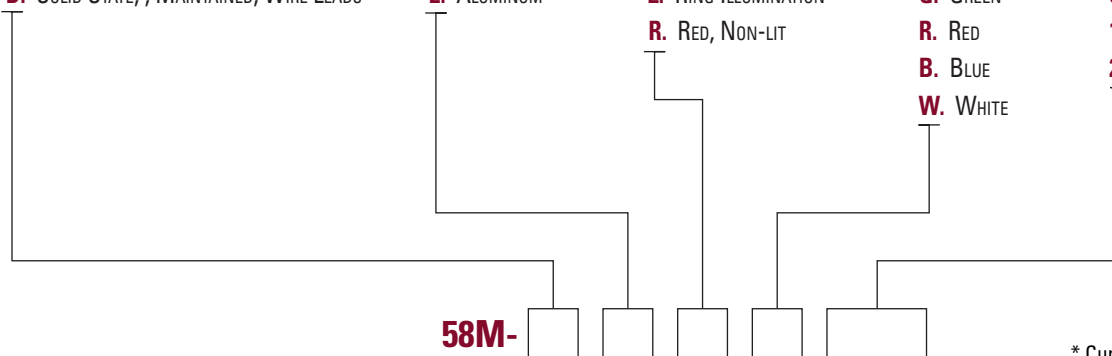
- 0.** NON-LIT
2. RING ILLUMINATION
R. RED, NON-LIT

LED COLOR:

- N.** NONE
G. GREEN
R. RED
B. BLUE
W. WHITE

VOLTAGE RESISTOR

- IF BLANK *
05 5V FORWARD
12 12V FORWARD
24 24V FORWARD



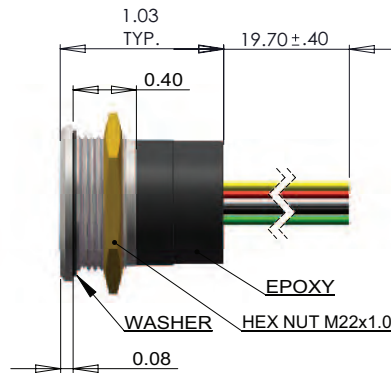
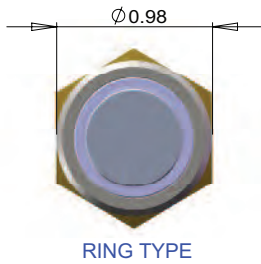
* Current limiting resistor is required to limit LED forward current to 20 mA (not included).

STANDARDS / AGENCY / RATINGS:

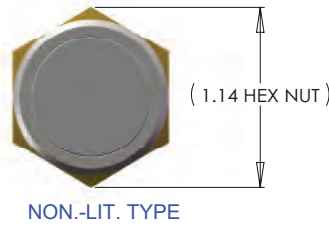
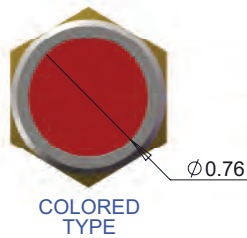


PRODUCT DRAWINGS

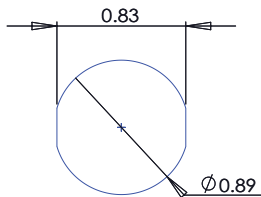
ILLUMINATION



NON-ILLUMINATION



RECOMMENDED PANEL CUTOUT



WIRELEADS DESCRIPTION

WIRELEADS TYPE	WIRELEADS SPECIFICATION	SW TERMINAL			LED	
		I	O	G	+	-
ILLUMINATION	AWG26/UL1007	YELLOW	GREEN	WHITE	RED	BLACK
NON-ILLUMINATION		YELLOW	GREEN	WHITE	---	---

MECHANICAL / ELECTRICAL CHARACTERISTICS:

Circuit:

SPST-NO-DB (Form X)

Button travel (nominal):

0.09 inches / 2.3 mm

Life (mechanical) (nominal):

1,000,000 cycles (momentary)

100,000 cycles (maintained)

Operating force (nominal):

3N / 306 grams

Panel thickness:

0.02 – 0.12 inches / 0.5 – 3mm

Temperature index:

-40°F to + 185°F

Supply voltage:

4.2V to 24V, 26.5V Max.

Supply current:

B < B_{rp}, V_{cc}=12V: 3mA Typ.

To 8mA Max.

B > B_{op}, V_{cc}=12V: 4mA Typ.

To 8mA Max.

Output current:

20 mA

Reverse battery voltage:

-30V Max.

Reverse output current:

-50mA Max.

Torque (max):

10 inch pounds

PANEL MOUNTING AND CONSTRUCTION INFORMATION

The series 58M mounts easily into panels of minimum 0.50" (1.3 mm) and maximum 0.150" (3.8 mm) thickness. Front panel sealing to IP67 is achieved by a sealing o-ring fitted to the body of the switch before it is inserted into the panel hole cut-out. It is held onto the panel by means of a metal hex nut tightened down to a torque of 10 inch pounds to achieve the correct sealing pressure.