

HEAVY DUTY 20 AMP DOUBLE-BREAK SWITCHES

The Series 14 switches are 20 Amp, double break Butterfly Switches for rugged applications. These switches are heavy duty, metal housed units. They are designed for applications that require a break in power when a door is opened on a piece of equipment or control via a remote linkage. They are ideal for high current applications which require reliability and long life.



APPLICATIONS:

- Transit Doors
- Pendant Controls
- Lift Trucks
- Industrial Machinery
- Medical Equipment

KEY FEATURES:

- Available in standard or heavy duty mounting
- Semirefactory contacts and offset #6 screw terminals with cup washers are standard
- Sealed button actuator is available
- Button, overtravel plunger or pivoted lever actuator are available
- UL recognized and CSA certified

ORDERING INFORMATION:

Part Number	Mounting	Operating Force	Release Force	Pretravel	Overtravel	Movement Differential	Operating Point	Actuator Style
14-124	Standard	17 ± 3 oz	5 oz min	.074 max	.030 min	.020 ± .007	.808 ± .013	Standard Button Actuator
14-12404	Heavy Duty	17 ± 3 oz	5 oz min	.074 max	.030 min	.021 ± .007	.090 ± .015	Standard Button Actuator
14-124S**	Standard	17 ± 3 oz	5 oz min	.074 max	.030 min	.020 ± .007	.808 ± .013	Standard Button Actuator
14-324	Standard	17 ± 3 oz	5 oz min	.074 max	.219 min	.020 ± .007	.830 ± .036	Overtravel Panel Mount
14-724	Standard	7 ± 2 oz	3 oz min	.156 max	.060 min	.046 ± .017	1.406 ± .034	Roller Lever Actuator

** 14-124S is Dust-tight per MIL-S-8805D Paragraph 4.8.20.1

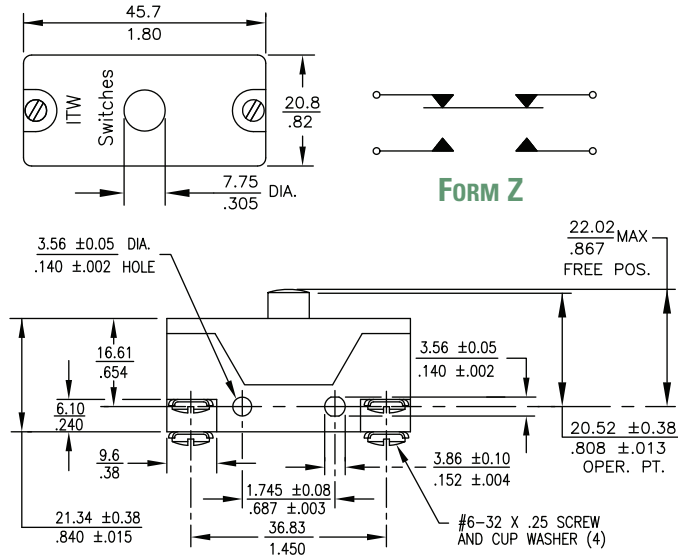
ELECTRICAL RATINGS:

Part Circuitry	Volts	AC			DC	
		Steady	In-Rush	SPDT	SPST	
SPDT-DB(Form Z)	28	—	—	10.0	25.0	
SPDT-DB(Form Z)	125	20	80	0.5*	2*	
SPDT-DB(Form Z)	250	20	80	0.2*	0.5*	
SPDT-DB(Form Z)	480	20	50	—	—	
SPDT-DB(Form Z)	600*	5*	10*	—	—	

UL recognized. Amps @ 125/250/480 VAC 75%PF and CSA Certified File No. 16388.

* - 14-124S only

STANDARD BUTTON ACTUATOR



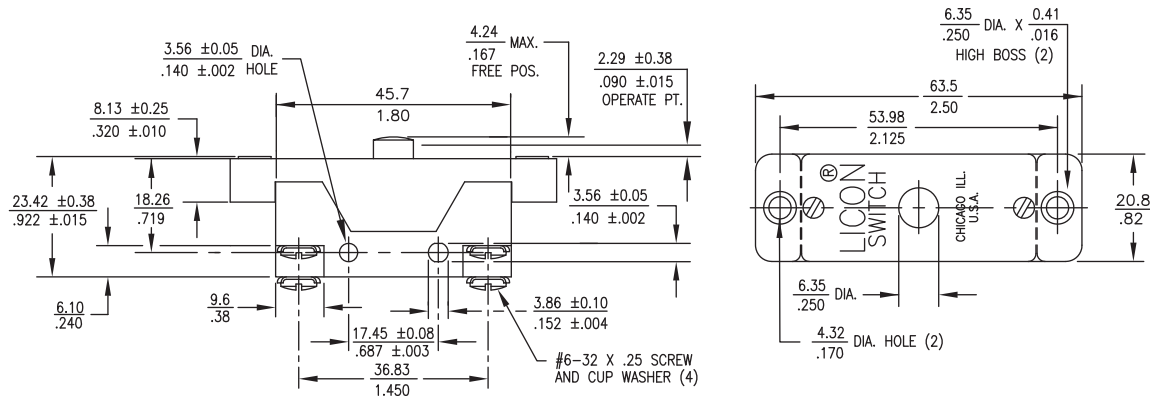
MECHANICAL / ELECTRICAL / ENVIRONMENTAL CHARACTERISTICS:

Circuit:
SPDT-DB (Form Z)

Terminal:
#6 screw with cup washer

Electrical Ratings :
See chart on left

STANDARD BUTTON ACTUATOR - HEAVY DUTY MOUNTING



OVERTRAVEL PANEL MOUNT

ROLLER LEVER

