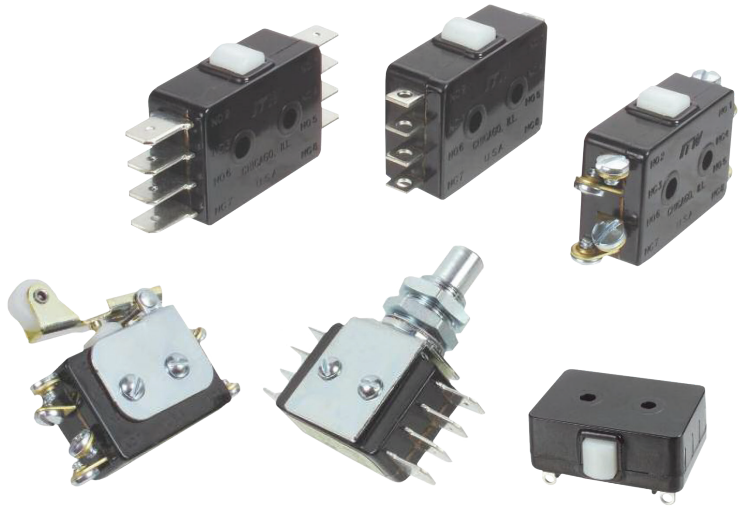


MINIATURE 10 AMP DOUBLE-POLE ACTION SWITCHES

The Series 22 is the 2-pole version of the Series 11 switches. It is a rugged double pole, double break Snap Action switch containing ITW's Butterfly mechanism. The 22 Series is ideal for the toughest applications when reliability is crucial.

APPLICATIONS:

- Pressure Control Sensors
- Industrial Pendant Controls
- Transit Door Openers
- Valve Actuators
- Lift Trucks



KEY FEATURES:

- Gold or silver contacts
- Variety of terminal styles
- UL recognized and CSA certified
- Roller lever and overtravel plunger actuator are available

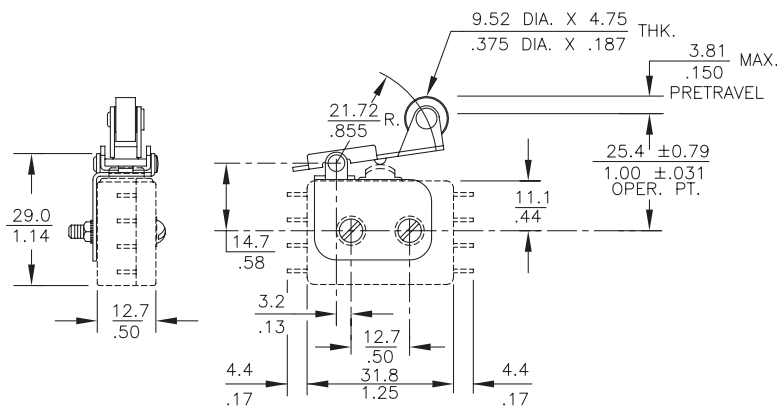
ORDERING INFORMATION:

Part Number	Terminals
22-104	End Solder
22-204	#4 Screw
22-304	Side Solder
22-504	Quick Disconnect .250

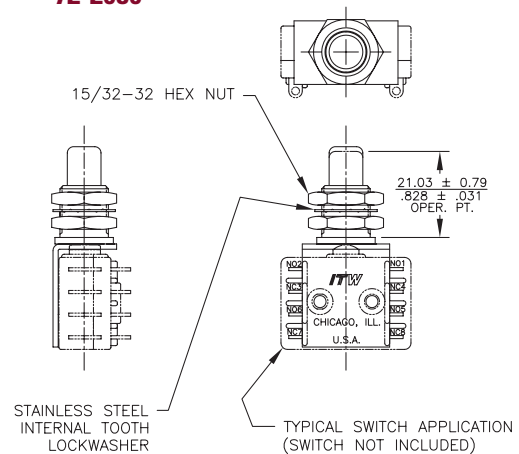
ACTUATORS

Part Number	Operating Force	Release Force	Pretravel	Overtravel	Movement Diff.	Operating Point
72-1160 Roller Lever (1)	10 oz max	1.5 oz min	.150 max	.035 min	.064 ± .015	1.0 ± .031
72-2080 Over Travel (2)	17 ± 3.5 oz	4 oz min	.060 max	.215 min	.030 ± .007	.828 ± .031

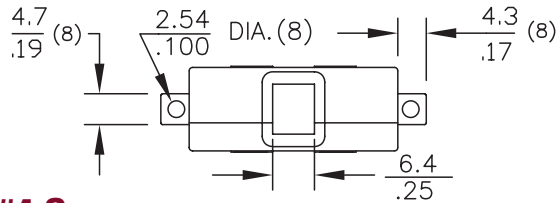
72-1160



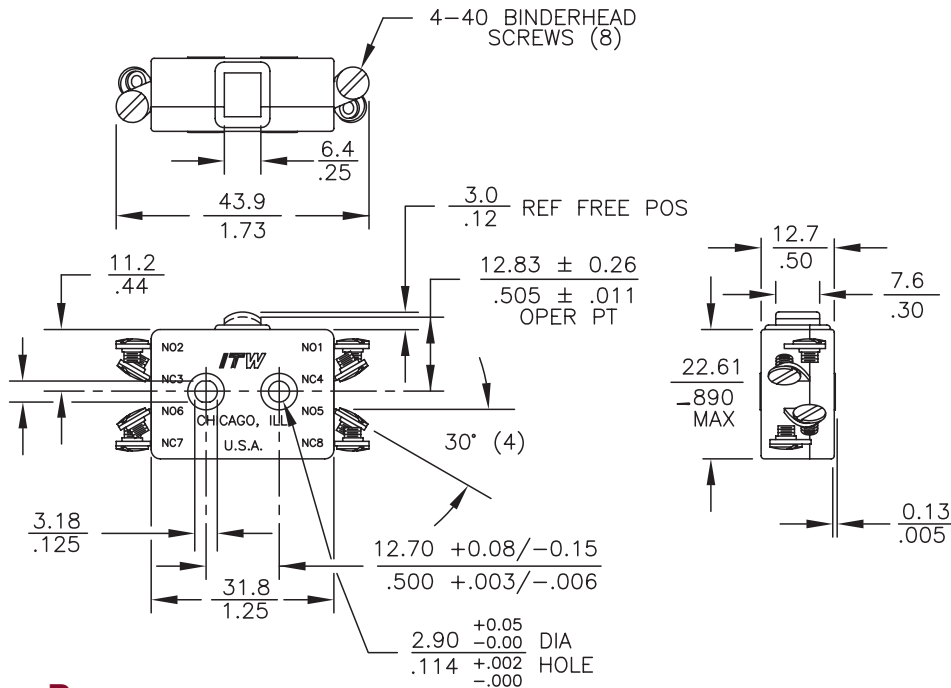
72-2080



END SOLDER



#4 SCREW



MECHANICAL / ELECTRICAL / ENVIRONMENTAL CHARACTERISTICS:

Pretravel:
0.060 inches max

Overtravel:
0.015 inches min

Operating Force:
17 ± 5 oz

Release Force:
4 oz min

Movement Differential:
0.030 inches ± .009

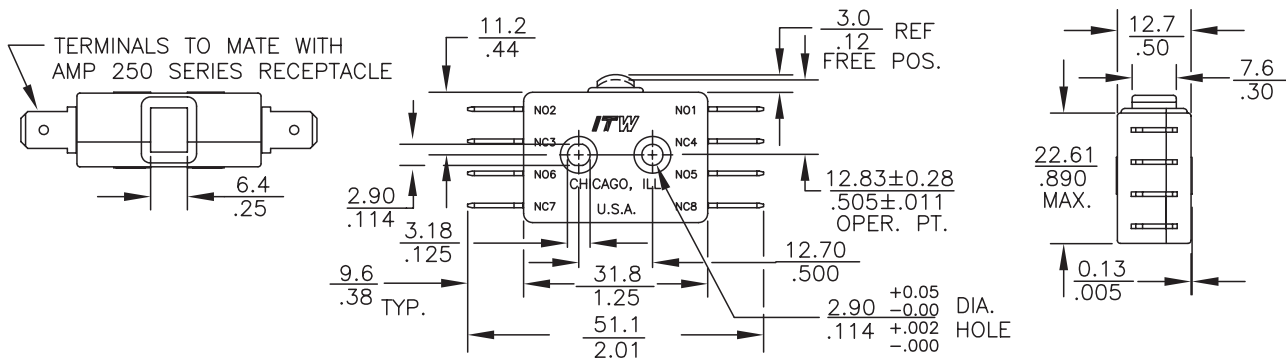
Operating Point:
0.505 inches ± .011
(from mounting hole centers)

Circuit:
DPDT-DB (Form ZZ)

Electrical Rating:

Circuitry	125/250 VAC	28 VDC
DPST-DB NO or NC (Form XX or YY)	10 amp (75-80% PF) 1/2 HP 125 VAC	10 amp Ind 15 amp Res
DPDT-DB (Form ZZ)	3/4 HP 250 VAC	7 amp Ind 10 amp Res

QUICK DISCONNECT



SIDE SOLDER

