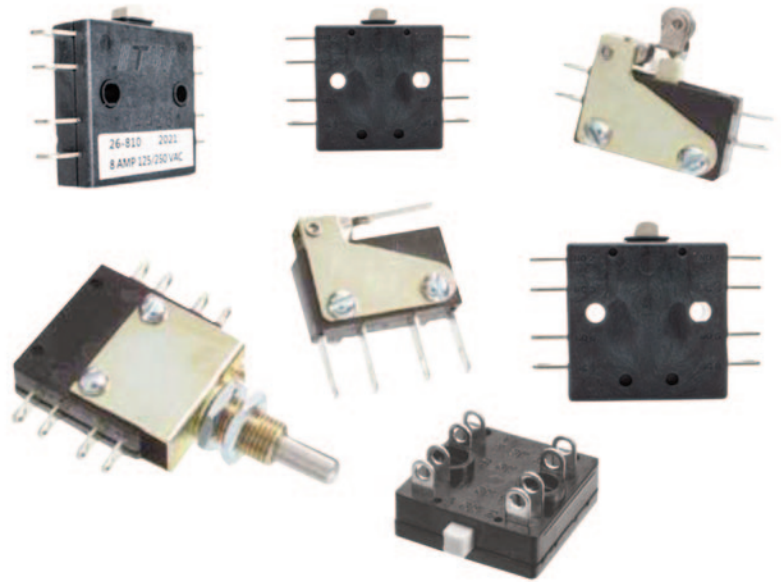


SUB-MINIATURE 10.1 AMP DOUBLE-BREAK SNAP ACTION SWITCHES

Series 26 switches are sub-miniature 8-amp double pole snap action switches that can control up to 4 isolated circuits. The unique design has a DPDT-DB (Form ZZ) contact arrangement. It can also be wired externally to provide two commons to form standard DPDT (Form CC) circuitry.



APPLICATIONS:

- Aircraft Rotary and Valve Actuators
- Air and Fuel Valve Actuators
- Aircraft Contactors
- Circuit Breakers
- HVAC Controls
- Industrial Machinery
- Medical Equipment

KEY FEATURES:

- Gold or silver contacts
- Meets MIL-PRF-8805/77
- End or side terminals available
- UL recognized and CSA certified: 8 amps @ 125/250 VAC
- Roller lever, lever, short roller lever and bushing mount actuator are available

ORDERING INFORMATION:

Part Number	Simultaneity	Contacts	Terminals	RoHS Compliant
26-804	Simultaneous*	Silver**	End Solder	✓
26-810	Simultaneous*	Enhanced Gold	End Termination	—
26-888051	Ref. M8805/77-001	Gold Plated	End Solder	—
26-904	Simultaneous*	Silver**	Side Solder	✓
26-988051	Ref. M8805/77-002	Gold Plated	Side Solder	—

* Within .004" of plunger travel.

** For electrical loads under 250 mA, consult factory.

Part Number	Pretravel	Overtravel	Oper. Force	Release Force	Movement Diff.	Operating Point
26-804	.050 max	.012 min	12 ± 4 oz	5 oz min	.020 +.010/-.005	.396 ± .015
26-810	.060 max	.020 min	18 ± 5 oz	5 oz min	.025 ± .010	.396 ± .010
26-888051	.060 max	.012 min	12 ± 4 oz	4 oz min	.025 ± .010	.396 ± .010
26-904	.050 max	.012 min	12 ± 4 oz	5 oz min	.020 +.010/-.005	.396 ± .015
26-988051	.050 max	.012 min	12 ± 4 oz	5 oz min	.020 +.010/-.005	.396 ± .015

ACTUATORS

Part Number		Oper. Force	Release Force	Pretravel	Overtravel	Movement Diff.
76-1200	Roller Lever	8 oz max	1 1/2 oz min	.130 max	.026 min	.054±.022
76-1210	Lever	7 oz max	2 oz min	.155 max	.025 min	.065 max
76-1220	Short Roller Lever	16 oz min	5 oz min	.050 max	.012 min	.020 ± .010 - .005
76-22604	Bushing Mount	5 oz	-	.050 max	.156 min	-

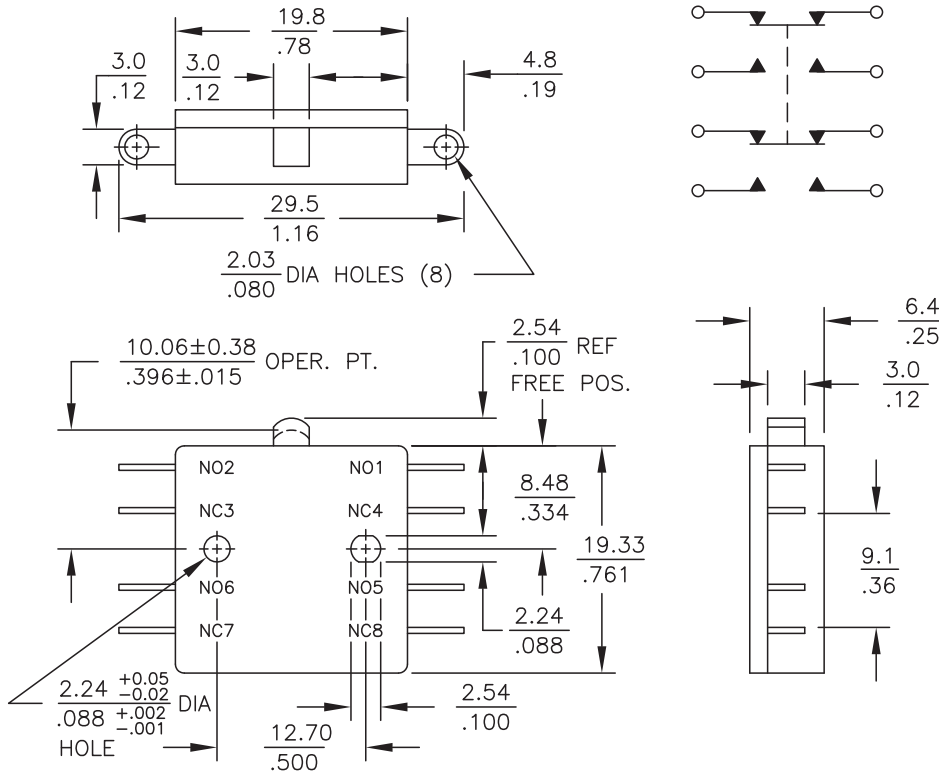
END SOLDER

MECHANICAL / ELECTRICAL / ENVIRONMENTAL CHARACTERISTICS:

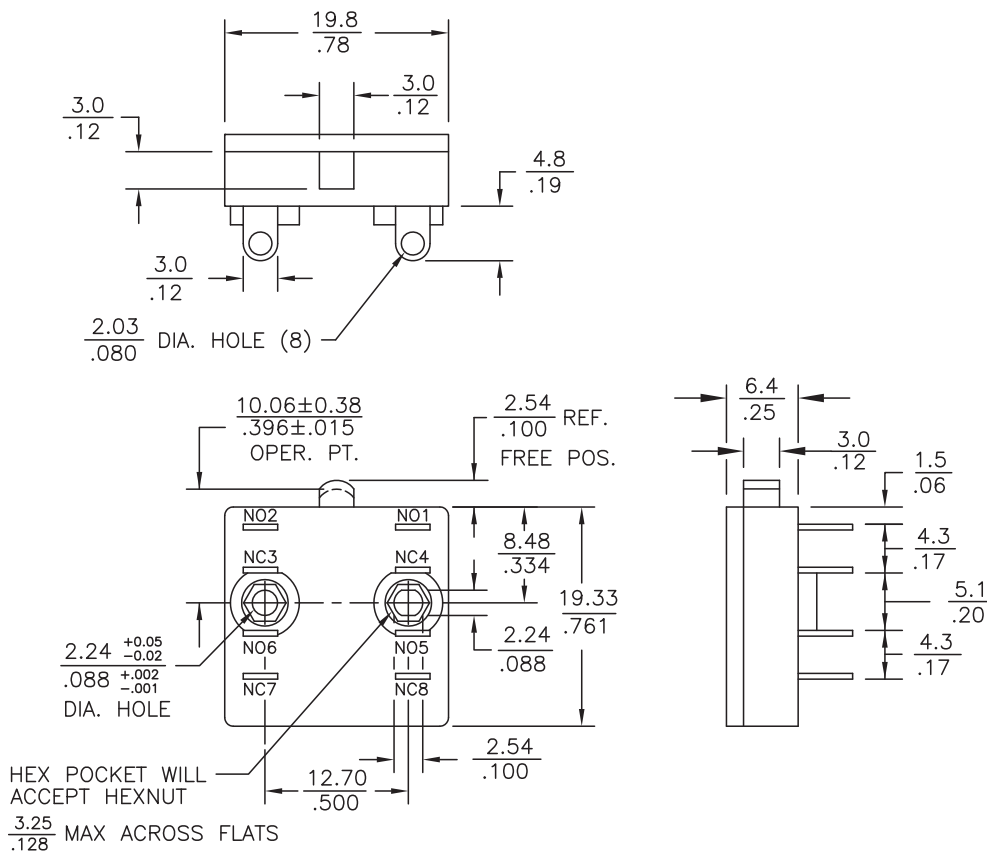
MIL-PRF-8805/7 QPL listed:
26-888051 M8805/77-001
26-988051 M8805/77-002

Electrical Ratings:

Circuitry	Current	Voltage
DPDT-DB	8 Amps	125/250 VAC 75-80% PF
(Form ZZ)	5 Amps	28 VDC



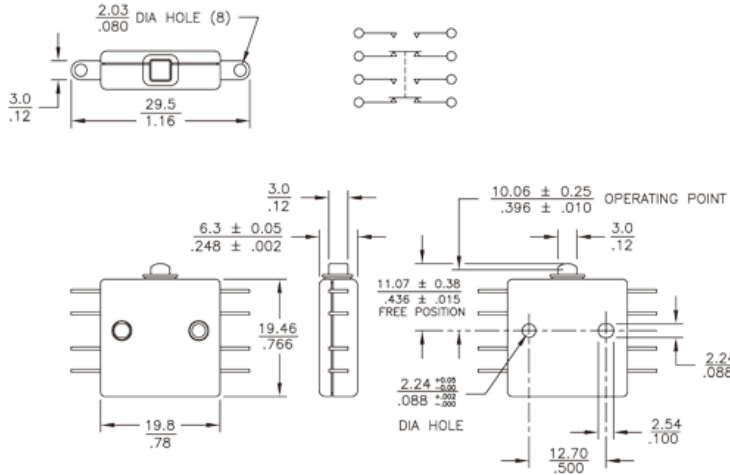
SIDE SOLDER



Designs and specifications are subject to change without notice due to product improvement.



END TERMINATION



MECHANICAL / ELECTRICAL / ENVIRONMENTAL CHARACTERISTICS:

Circuit:
DPDT-DB (Form ZZ)

Temperature Index:
-85°F to +257°F Ambient

MIL-PRF-8805 OPL Listed:
26-810 M8805/77-003

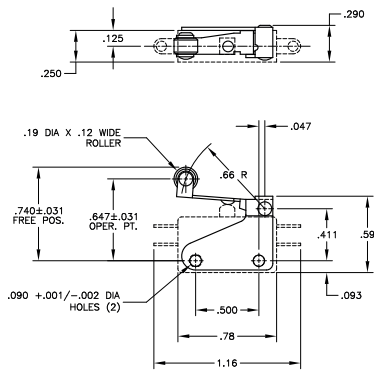
Electrical Ratings:
See chart to the left

ELECTRICAL RATING, 26-810:

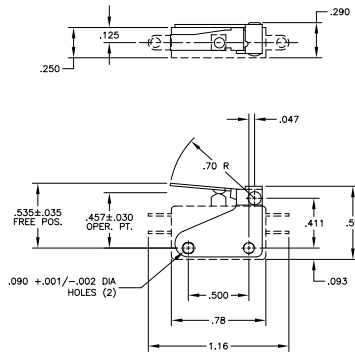
Load	Sea Level				70,000 Ft	
	28 VDC	28 VDC	115 VAC	115 VAC	28 VDC	28 VDC
	DPDT	4 CKT	60 HZ	60HZ	DPDT	4 CKT
Resistive	8 amp	8 amp	6 amp	4 amp	8 amp	8 amp
Inductive	6 amp	4 amp	4 amp	4 amp	2 amp	1 amp
Lamp	0.5 amp	0.5 amp	2 amp	1 amp	-	-

ACTUATORS

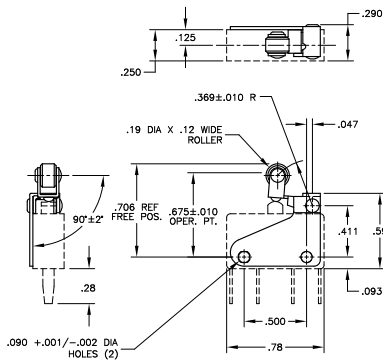
76-1200



76-1210



76-1220



76-22604

