

3-POLE DOUBLE BREAK SWITCH WITH SILVER SOLDER END TERMINALS

Series 36 are 3-pole double break switches. This switch has a wide range of options, including contact material, different terminals and a choice of housing materials.

APPLICATIONS:

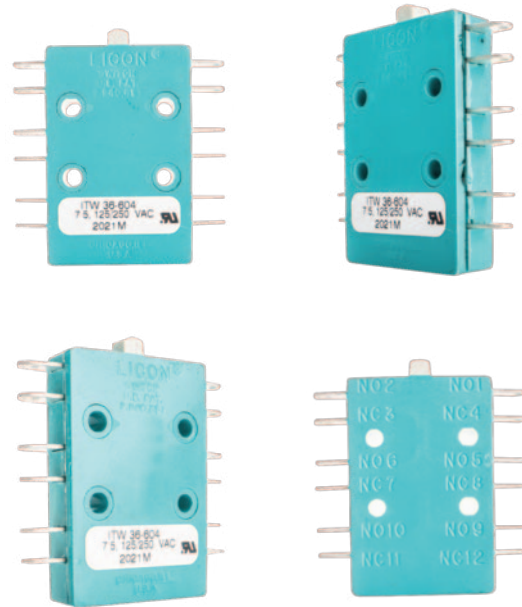
- Aerospace
- HVAC
- Sump Pumps
- Coin Changers

KEY FEATURES:

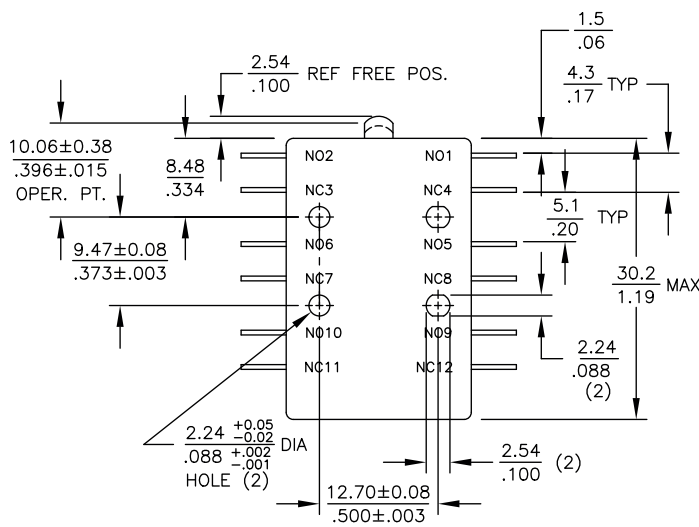
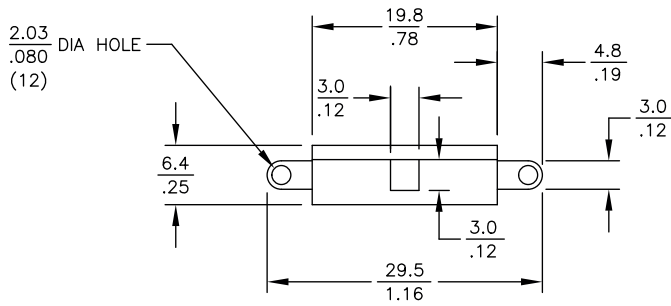
- Triple Gang
- Form ZZZ
- RoHS Compliant

ORDERING INFORMATION:

Part Number	Terminals
36-604	Side Solder



SIDE SOLDER



MECHANICAL / ELECTRICAL / ENVIRONMENTAL CHARACTERISTICS:

Pretravel (max):
1.27mm
0.05 inches

Overtravel (min):
0.30mm
0.012 inches

Operating Force:
16 oz + 4 oz

Release Force:
4 oz min

Movement Differential:
0.51mm ± 0.25mm
0.020 ± 0.010 inches

Operating Point:
10.06mm ± 0.38mm
0.396 ± 0.015 inches
(from mounting hole centers)

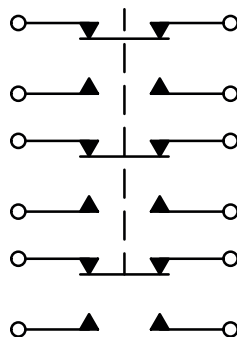
Simultaneity:
All poles shall transfer within
0.10mm/.004 inches of plunger
travel

Circuit:
3PDT-DB (Form ZZZ)

Electrical Ratings (Typical):
UL Listed, 75% PF

Circuitry	125/250 VAC	28 VDC
Form XXX / YYY	7.5 amp	7.5 amp Ind
Form ZZZ	7.5 amp	5 amp Ind

SCHEMATIC



FORM ZZZ