

SEALED 10 AMP SUB-MINIATURE SNAP ACTION

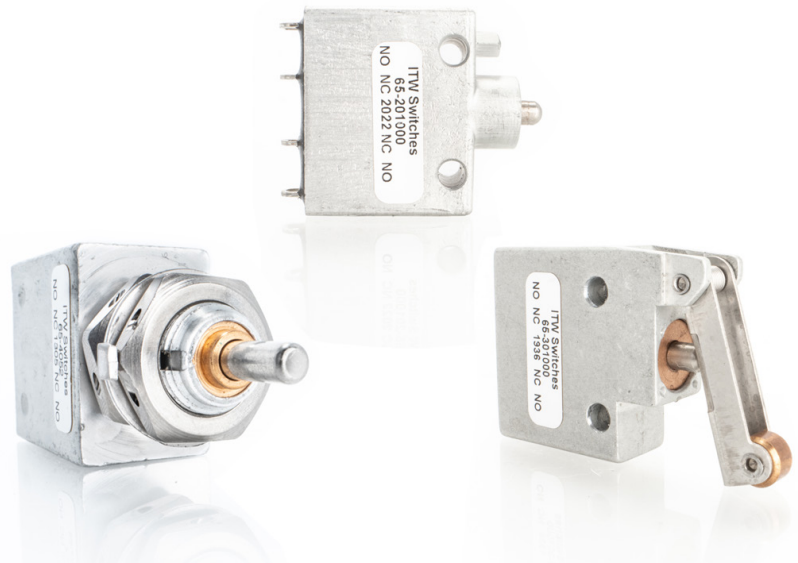
These rugged metal enclosed sealed switches use the Butterfly® switch mechanism providing long-life, durability and reliability. These switches are ideal for demanding military and industrial applications.

KEY FEATURES:

- Meets the (watertight) requirements per MIL-PRF-8805 enclosure design symbol 3
- Gold contacts
- Variety of actuators available
- Solder terminals standard
- MIL-PRF-8805 QPL listed switches available

APPLICATIONS:

- Aircraft valves
- Wheelchair lifts
- Machine tools
- Missiles and missile launchers
- Heavy industrial equipment

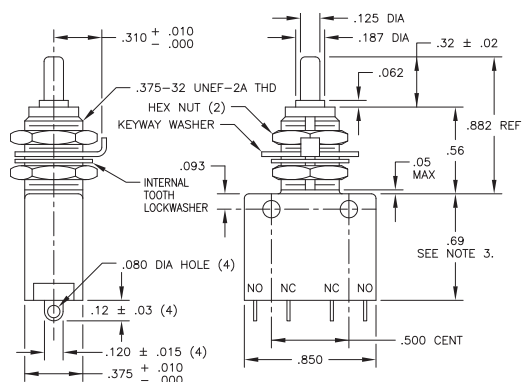


ORDERING INFORMATION

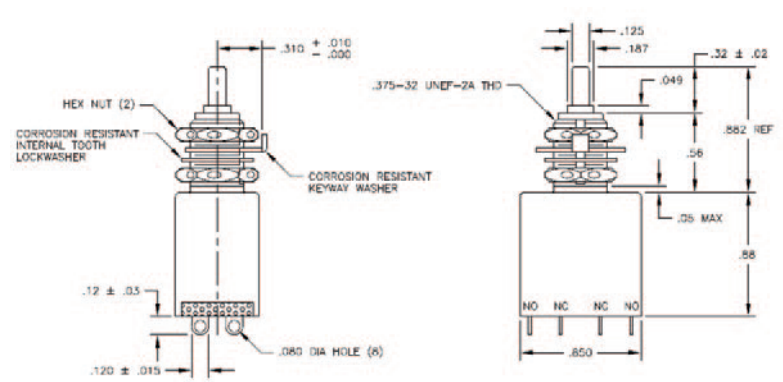
Part Number	Actuator	Circuit	Pretravel	Overtravel	Operating Force	Release Force	Movement Differential
65-201000	Pin plunger	SPDT-DB (Form Z).	.050 max	.012 min	24 ± 8 oz	8 oz min	.010-.030
65-301000	Roller lever	SPDT-DB (Form Z)	.115 max.	.025 min	16 oz max	5 oz min	.058 max
65-401000	Over Travel	SPDT-DB (Form Z)	.070 max	.187 min	36 oz max	8 oz min	.010-.030
65-230014	Pin plunger	SPDT-DB (Form Z).	.045 max	.012 min	24 ± 8 oz	8 oz min	.020 ± .010
65-405200	Over Travel	DPDT-DB (Form ZZ)	.070 max	.187 min	48 oz max	8 oz min	.040 max
65-455200	Over Travel	DPDT-DB (Form ZZ)	.070 max	.187 min	48 oz max	8 oz min	.040 max

OVERTRAVEL

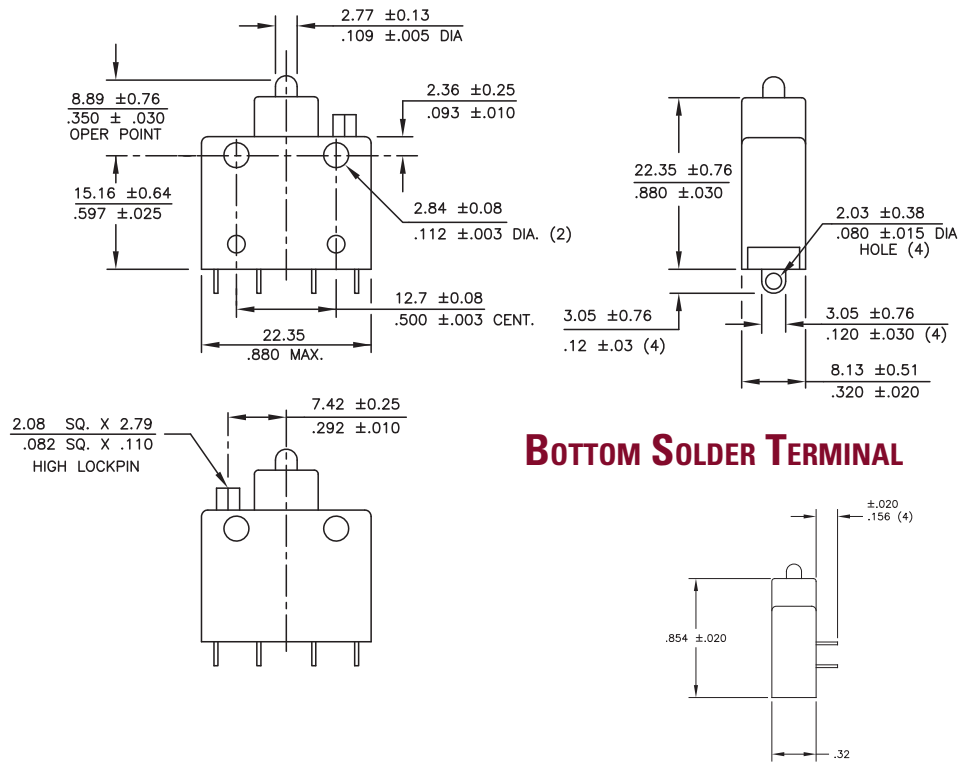
65-401000



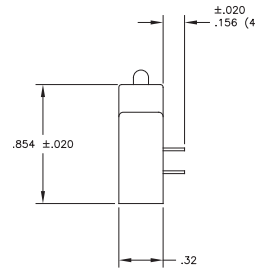
65-405200



PIN PLUNGER



BOTTOM SOLDER TERMINAL



MECHANICAL / ELECTRICAL / ENVIRONMENTAL CHARACTERISTICS:

Temperature Range:
 -55°C to +85°C
 (-65°F to +185°F)

Electrical Ratings (Typical):

Circuitry	125/250 VAC	28 VDC
SPDT-DB (Form Z)	5 A	3 A Ind.
DPDT-DB (Form ZZ)	5 A	3 A Ind.
SPST-DB (Form X or Y)	10 A	7.5 A Ind.

ROLLER LEVER

