

## SERIES 76-59 - PUSHBUTTONS

The Series 76-59 of pushbutton switches are extremely rugged making them particularly suited to applications in which vandal resistance is a necessity.

The switch body and buttons are machined from hard-wearing stainless steel and come in a front mounting style.

Series 76-59 all provide momentary action and are based on our proven Series 59 push buttons.

Connections are made via the solder terminal at the rear of the switch.



### APPLICATIONS:

- Vandal resistant and robust industrial requirements
- Flush-with-panel installation requirement
- Process control
- Railway carriage equipment
- External security door controls
- Elevators
- Fishing vessels
- Crane gantry equipment
- Earth moving equipment
- Upper deck yachting equipment
- Medical instrumentation

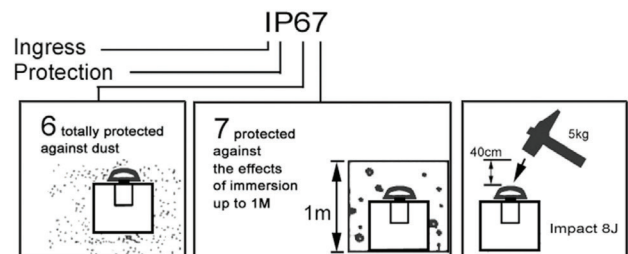
### KEY FEATURES:

- Vandal resistant
- Panel sealed to IP67
- Non – rotating button
- Machined from stainless steel
- Wide temperature range
- Gold contacts
- Solder terminals

### NON-STANDARD OPTIONS:

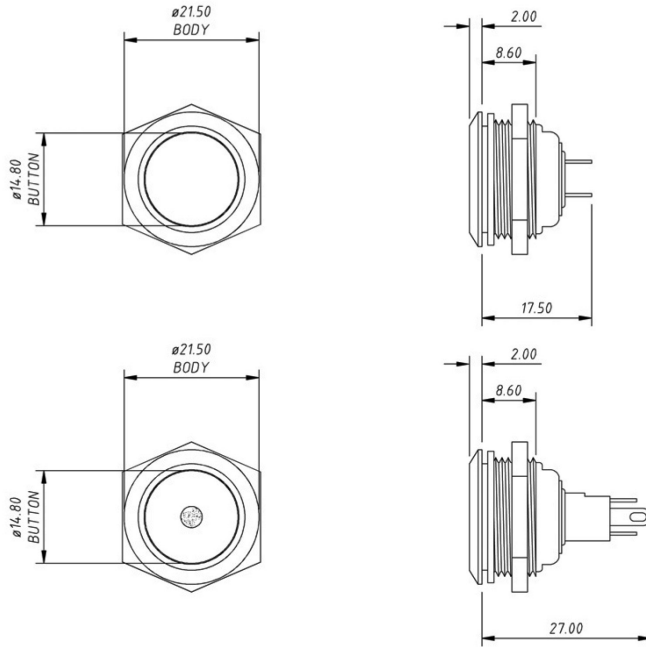
- PCB terminals
- Engraving

### INGRESS PROTECTION



PRODUCT DRAWINGS

76-5910x



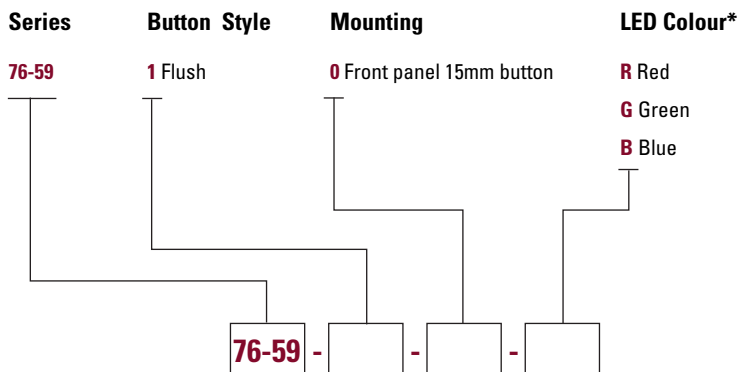
PANEL MOUNTING & CONSTRUCTION:

The 76-59 series mounts from the front into a 19.25 mm diameter panel cut out. Panel sealing is achieved by means of a sealing washer which is fitted to the switch body before it is inserted into the panel hole. The switch is then held in place by a lock-nut screwed on from the rear.

CIRCUIT FORM



ORDERING INFORMATION:



\* This digit only required for illuminated part numbers

MECHANICAL / ELECTRICAL / ENVIRONMENTAL CHARACTERISTICS:

**Operating force (nom):**  
3N

**Panel thickness:**  
1.5 mm to 8 mm

**Body Diameter:**  
M19 thread

**Panel cut out:**  
Ø 19.25 mm

**Life (min):**  
1,000,000 cycles

**Travel:**  
2.3 mm

**Dielectric strength:**  
1KV AC 1 minute

**Insulation resistance:**  
1GΩ @500V d.c

**Contact resistance (initial):**  
50mΩ

**Current rating (typical):**  
400mA at 32V a.c. resistive  
100mA at 50V d.c. resistive  
125mA at 125V a.c. resistive

**Life:**  
500,000 cycles (max load)  
@ 70°C

**Ingress protection:**  
IP67 (Panel Sealed)

**Operating temperature range:**  
-30°C to + 105°C

**Body material:**  
Stainless steel

**Actuator material:**  
Stainless steel

**Contact material:**  
Gold plated, nickel