

Series H58M

22MM, PANEL SEALED 10 AMP METAL PUSHBUTTON

These rugged electromechanical pushbuttons come in stainless or aluminum housings, momentary or maintained actions and available with lighted ring option. The 22mm size makes the H58M ideal for many applications in the transportation, security, food processing and industrial control markets.



ACTUAL SIZE

APPLICATIONS

- Industrial Machinery
- Access Controls
- Food Processing Equipment
- Mass Transportation
- Lift Trucks
- Military/Aerospace

KEY FEATURES:

- Momentary or Maintained Action
- Stainless Steel or Aluminum Housing
- Non Lit or Ring Illumination
- Variety of LED colors
- Electro-Mechanical
- Panel Sealed to IP67
- ROHS Compliant
- 16-4044 & 16-530004 & 16-40443 (UL and CSA Certified): SPDT Form Z, Silver contacts

ORDERING INFORMATION:

Switch Function:	Housing Material:	Button Style:	LED Color:	Voltage Resistor:	Series 16 Switch:
1 Mechanical, Momentary	1 Stainless Steel	0 Non-lit	N None	If Blank*	/4044 Silver Solder Terminals
2 Mechanical, Maintained	2 Aluminum	2 Ring Illumination	G Green	05 5V Forward	/530004 Bottom QC.110 Terminals
		3 Standby Logo Illumination	R Red	12 12V Forward	/40443 Silver Alloy Solder Terminals
		R Red, Non-lit	A Amber	24 24V Forward	
			B Blue		
			W White		
			RB Red / Blue		
			RG Red / Green		

H58M-

* Current limiting resistor is required to limit LED forward current to 20 mA (not included)

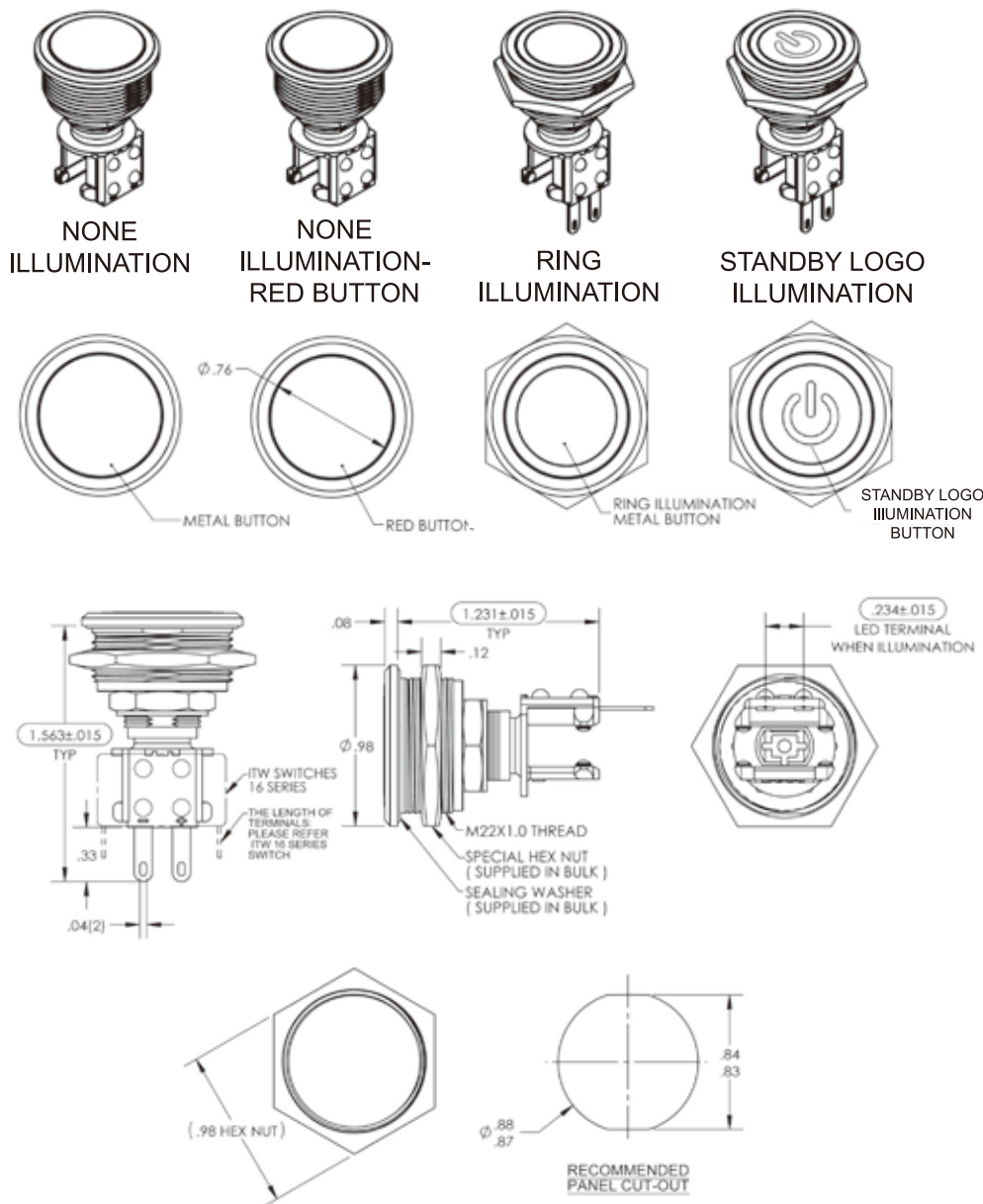
LED forward voltage:
– Green, Blue & White: 3.4 V

STANDARDS / AGENCY / RATINGS:



SERIES H58M: 22MM PANEL SEALED METAL PUSHBUTTON

PRODUCT DRAWINGS



MECHANICAL / ELECTRICAL CHARACTERISTICS:

- Circuit:**
SPDT-DB (Form Z)
- Button travel (nominal):**
0.09 inches (2.3 mm)
- Operating force (nominal):**
5.2N (520 grams)
- Contact bounce (nominal):**
1 millisecond
- Panel thickness:**
0.020" – 0.177" (0.5 – 4.5 mm)
- Temperature index:**
-40° C to +85° C (momentary)
-40° C to +65° C (maintained)
- Torque (max):**
10 inch pounds
- LED operating temperature:**
-13° F to +185° F
(-25° C to +85° C)
- Current ratings:**
10A @ 125/250 VAC (res)
10A @ 28 VDC (ind)
- Actuator life (nominal):**
500,000 cycles (momentary)
50,000 cycles (maintained)
- ELECTRICAL SPECIFICATIONS**
- Dielectric strength:**
1,000 VAC
- Insulation resistance:**
1 GΩ
- Contact resistance:**
50 mΩ max (initial)

LED SPECIFICATIONS

LED CODE	LED		CIRCUITRY	Vf(VDC)		If (mA)
	Color 1	Color 2		Color 1	Color 2	
A	AMBER	—		1.6~2.0	—	20
R	RED	—		1.6~2.0	—	20
Y	YELLOW	—		1.6~2.0	—	20
B	BLUE	—		2.8~3.4	—	20
G	GREEN	—		2.8~3.4	—	20
W	WHITE	—		2.8~3.4	—	20
RB	RED	BLUE			1.6~2.0	2.8~3.4
RG	RED	GREEN	1.6~2.0		2.8~3.4	20

Notes:
1.) Lead Soldering Temperature (4mm form body) : 280°C for 5 seconds
2.) Head Soldering Temperature (4mm form body) : 280°C for 3 seconds

PANEL MOUNTING INFORMATION

The series H58M mounts easily into panels of minimum 0.020" (0.5 mm) and maximum 0.177" (4.5 mm) thickness. Front panel sealing to IP67 is achieved by a sealing o-ring fitted to the body of the switch before it is inserted into the panel hole cut-out. It is held onto the panel by means of a metal hex nut tightened down to a torque of 10 inch pounds to achieve the correct sealing pressure. The Basic Switch (16-4044 or 16-530004) has to be installed after the pushbutton actuator is firmly secured to specified torque onto the panel.

TW Switches
SENSORS, SWITCHES, ELECTRONIC CONTROLS

Designs and specifications are subject to change without notice due to product improvement.

800.544.3354