

## SERIES SA12 - PANEL SEALED 2 AND 5 AMP PUSHBUTTON SWITCHES

The ITW SA12 series pushbutton offers the utmost in choices of mounting style, button colours, terminations, bezels and lighting switching. The switch is available with Gold (2A) or Silver (5A) contact types and with the butterfly configuration provides have a positive snap action feel. Bushing mount or snap-in mounting available.

They are ideal for rugged applications that require a long life.

### KEY FEATURES:

- UL approved
- Sealed to IP67
- 10mA to 5A current capability
- Gold or Silver Contact Material
- Illuminated Option



### APPLICATIONS:

- Office equipment
- Medical equipment
- Industrial machinery
- Mass transportation
- Food processing equipment
- Outdoor Controls
- Joystick Control

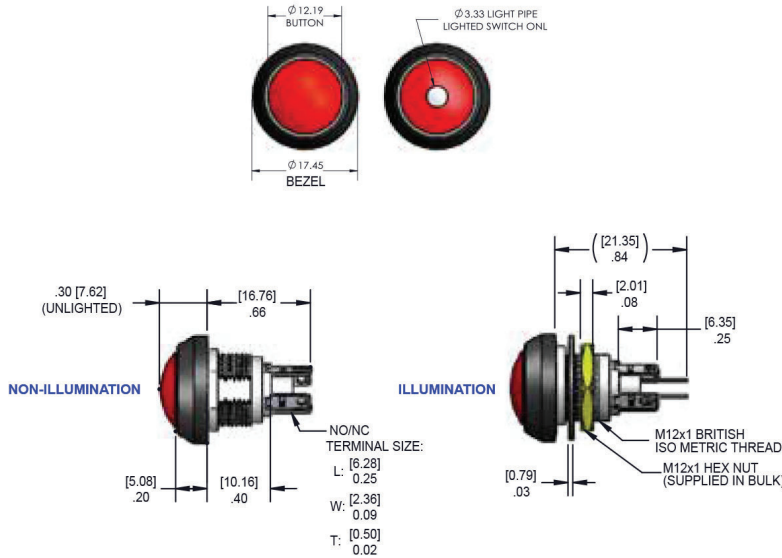
### ORDERING INFORMATION:

Switch Function:	Bezel Type:	LED Color:	Button Color:	Mounting Type:	Voltage Resistor: If Blank*	Contact Material:
1 Momentary, NO/NC Solder Terminal	RB Round, Black	N None G Green R Red B Blue W White Y Yellow	N None RD Red GR Green BK Black BL Blue YL Yellow OR Orange WH White	B Bushing S Snap-In	05 5V Forward 12 12V Forward	SR Silver GD Gold

SA12 - [ ] - [ ] - [ ] - [ ] - [ ] - [ ] - [ ]

PRODUCT DRAWINGS



ELECTRICAL CHARACTERISTICS:

Circuit:

SPDT-DB ( Form Z)

Pretravel (Nominal):

0.050 inches [1.27mm]

Overtravel (Nominal):

0.010 inches [0.25mm]

Total Travel (Nominal):

0.060 inches [1.52mm]

Operating Force (Nominal):

3.5N ±0.5N

Panel Thickness:

Bushing Mount:  
0.020" - 0.118" [0.5 - 3.0mm]

Snap-In Mount:

0.051" - 0.118" [1.5 - 3.0mm]

Contacts:

Silver / Gold

Nut Torque Force:

Max 5.2 lb-in [6 kgf-cm]

Actuator Ingress Protection:

IP67 (Front Panel)

Operating Temperature:

-40° to +185°F [-40° to +85°C]

Current Ratings (Nominal):

Silver:

10mA @ 5VDC, 100K Cycles

5A @ 28 VDC, 25k Cycles

5A @ 125/250 VAC, 25k Cycles

Gold:

10mA @ 5VDC, 100K Cycles

2A @ 28VDC, 25K Cycles

ELECTRO-MECHANICAL

Dielectric Strength:

1,000 VAC

Insulation Resistance:

1GΩ

Contact Resistance:

Max 50mΩ (Non-Wirelead)

Max 250mΩ (Wirelead)

SWITCH CIRCUIT DIAGRAM



Form Z SPDT-DB