

## PANEL SEALED 5 AMP PUSHBUTTON SWITCHES

The ITW SA series pushbutton offers the utmost in choices of mounting style, button colours, terminations, bezels and lighting switching. These 5 AMP sealed switches have a positive snap action feel. Bushing mount or snap-in mounting available. They are ideal for rugged applications that good looks and long life.

# Series SA48



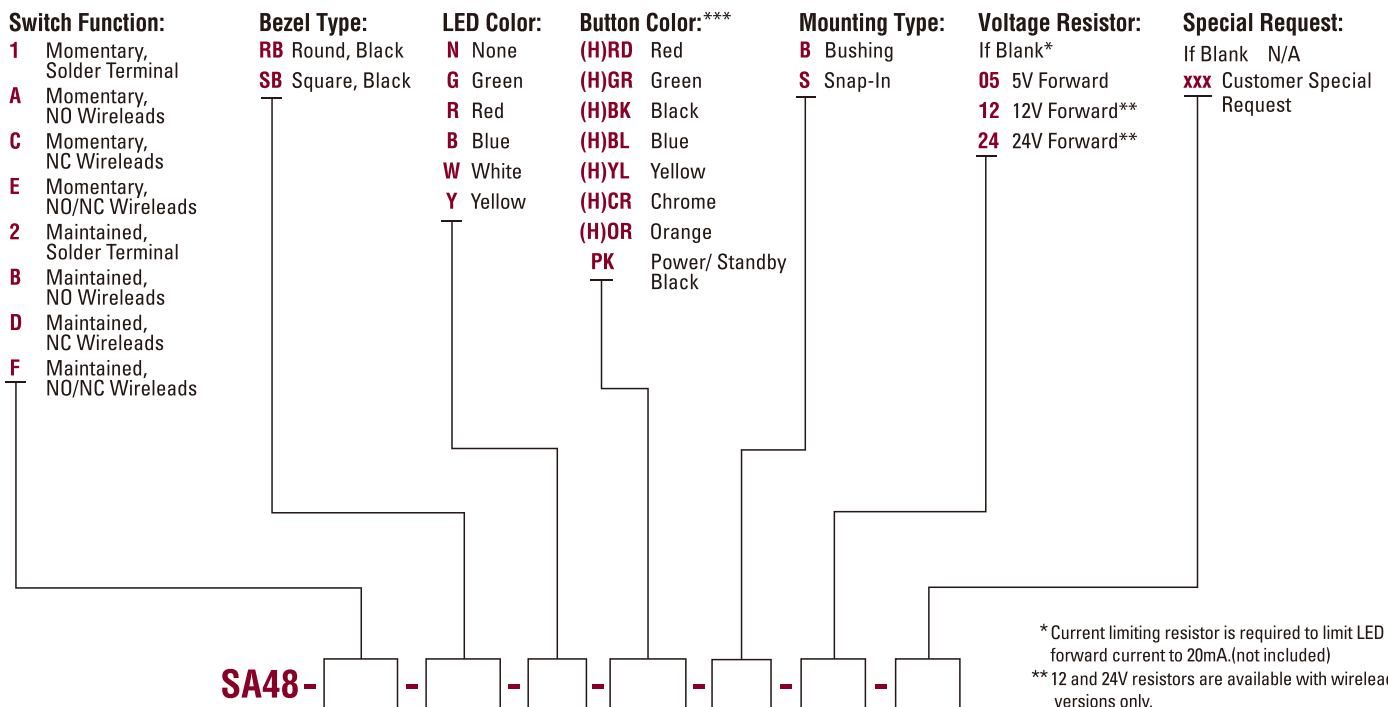
### KEY FEATURES:

Size	12mm
Current Rating	5A @ 28VDC
Mechanical Life	25k Cycle Nominal
Operating Temperature	-40° to +185°F [-40° to +85°C]
Circuitry	1NO/1NC
Ingress Protection	IP67 (Front Panel)
Standards	UL 61058 / IEC 61058
Snap Action	Momentary / Maintained
Illumination	Green/ Red/ Blue/ White/ Yellow

### APPLICATIONS

- Office equipment
- Medical equipment
- Industrial machinery
- Mass transportation
- Food processing equipment
- Outdoor Controls
- Joystick Control

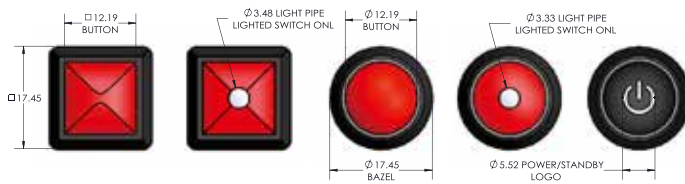
### ORDERING INFORMATION:



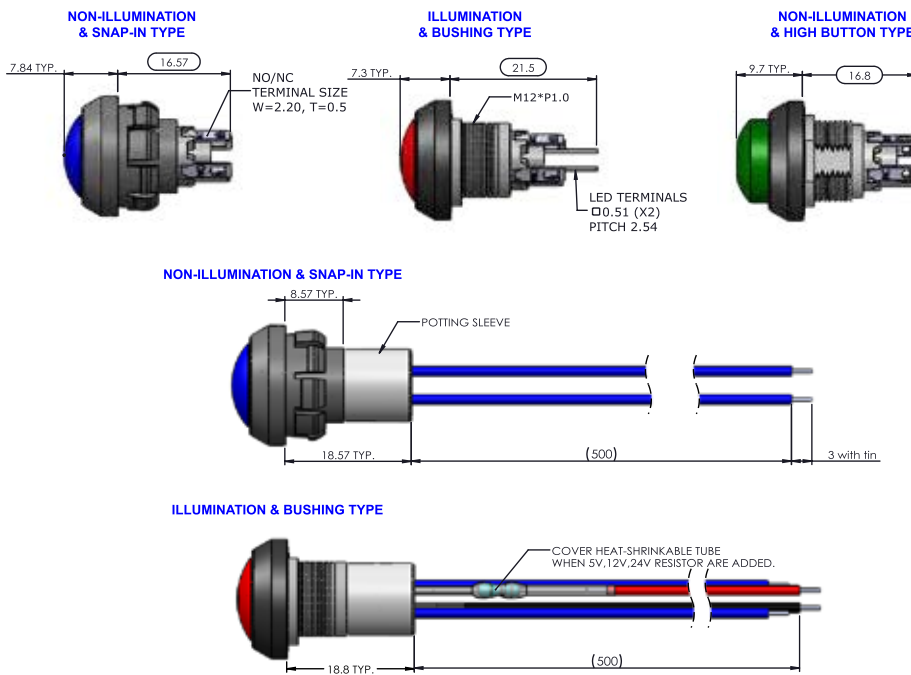
\* Current limiting resistor is required to limit LED forward current to 20mA.(not included)  
 \*\* 12 and 24V resistors are available with wirelead versions only.  
 \*\*\* (H) means High Button type.

## SERIES SA48: 12MM SEALED 5 AMP PUSHBUTTON SWITCHES

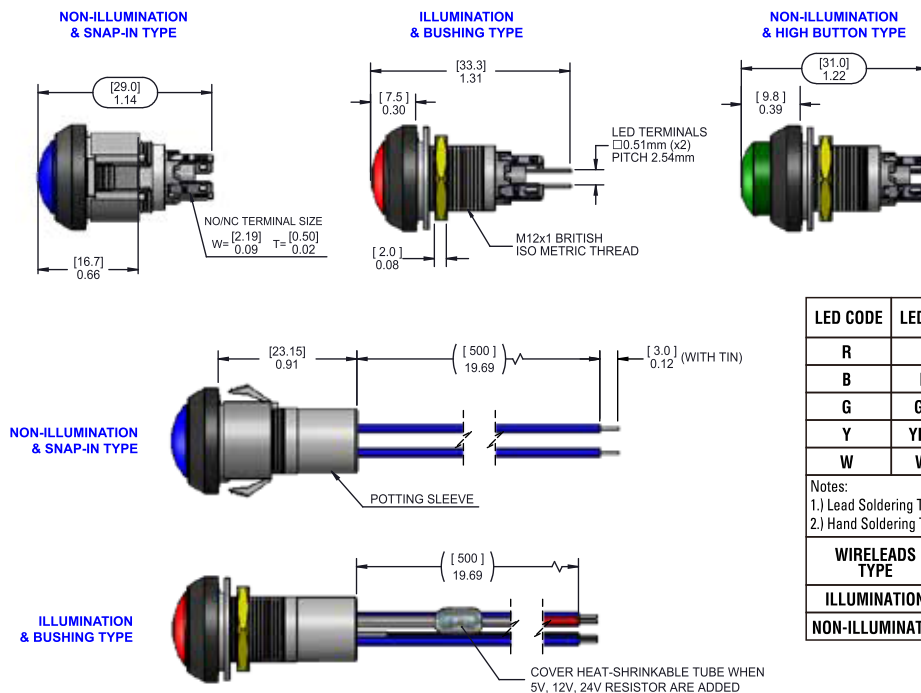
### PRODUCT DRAWINGS



#### MOMENTARY TYPE



#### MAINTAINED TYPE



### MECHANICAL / ELECTRICAL CHARACTERISTICS:

#### Circuit:

SPDT-DB (Form X)

**Pretravel (Nominal):**  
0.050 inches [1.27mm]

**Overtravel (Nominal):**  
0.010 inches [0.25mm]

**Total Travel (Nominal):**  
0.060 inches [1.52mm]

**Operating Force (Nominal):**  
5.15N [525g]

**Release Force (Nominal):**  
3.45N [340g]

#### Panel Thickness:

Bushing Mount:  
0.020" - 0.118" [0.5 - 3.0mm]

Snap-In Mount:  
0.051" - 0.118" [1.5 - 3.0mm]

#### Contacts:

Silver

#### Nut Torque Force:

Max 5.2 lb-in [6 kgf-cm]

**Actuator Ingress Protection:**  
IP67 (Front Panel)

#### Operating Temperature:

-40° to +185°F [-40° to +85°C]

#### Current Ratings (Nominal):

5A@ 28 VDC, 25k Cycles

5A@ 125/250 VAC, 25k Cycles

### ELECTRO-MECHANICAL:

#### Dielectric Strength:

1,000 VAC

#### Insulation Resistance:

1GΩ

#### Contact Resistance:

Max 50mΩ (Non-Wirelead)

Max 250mΩ (Wirelead)

LED CODE	LED COLOR	CIRCUITRY	V <sub>f</sub> (VDC)	I <sub>f</sub> (mA)
R	RED		1.8-2.5	20
B	BLUE		2.8-3.5	20
G	GREEN		2.8-3.5	20
Y	YELLOW		1.8-2.5	20
W	WHITE		2.8-3.5	20

#### Notes:

- Lead Soldering Temperature (4mm above from body): 280°C for 5 seconds
- Hand Soldering Temperature (4mm above from body): 320°C for 3 seconds

WIRELEADS TYPE	WIRELEADS SPECIFICATION	SW TERMINAL				LED	
		NO	NC	+	-	+	-
ILLUMINATION	AWG24 / UL1007	BLUE	YELLOW	RED	BLACK		
NON-ILLUMINATION		BLUE	YELLOW	-	-		