

22MM PANEL SEALED 5 AMP PUSHBUTTON SWITCHES

The ITW SA58M series switches are 22mm panel sealed metal snap-action pushbutton switches with optional ring and power illumination and multiple LED color options. The SA58M is available as momentary or maintained action. These 5 AMP sealed switches have a positive snap action feel. They are ideal for Security Equipment, Medical Equipment, Kiosks, etc.

Series SA58M



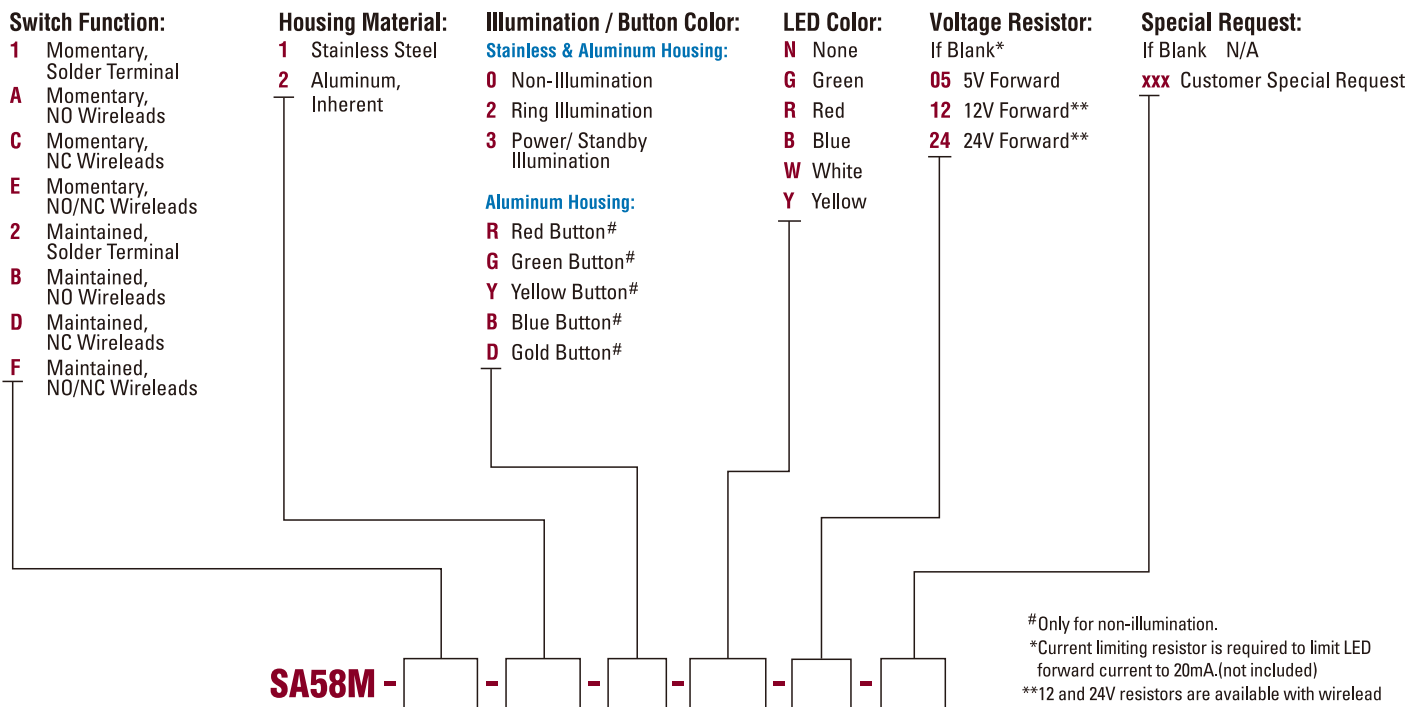
KEY FEATURES:

Size	22mm
Current Rating	5A @ 28VDC
Mechanical Life	25k Cycle Nominal
Operating Temperature	-40° to +185°F [-40° to +85°C]
Circuitry	1NO/1NC
Ingress Protection	IP67 (Front Panel)
Standards	UL 61058 / IEC 61058
Housing Material	Stainless / Aluminum
Snap Action	Momentary / Maintained
Illumination	Green/ Red/ Blue/ White/ Yellow

APPLICATIONS

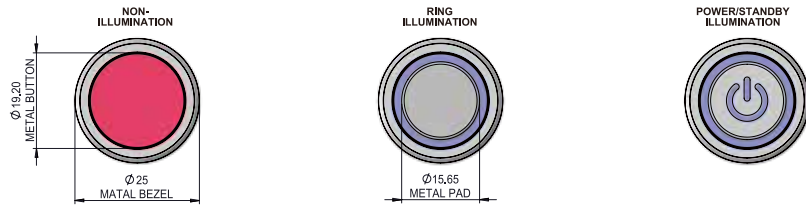
- Outdoor Controls
- Security Equipment
- Medical Equipment
- Food Processing Equipment
- Industrial Machinery
- Kiosks
- Transportation: Mass-Transit, Lift Trucks

ORDERING INFORMATION:

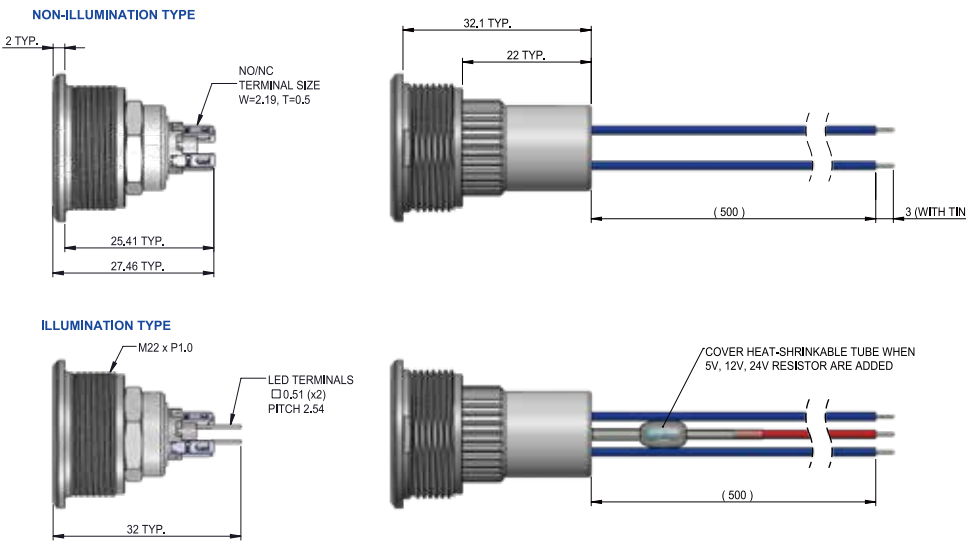


SERIES SA58M: 22MM SEALED 5 AMP PUSHBUTTON SWITCHES

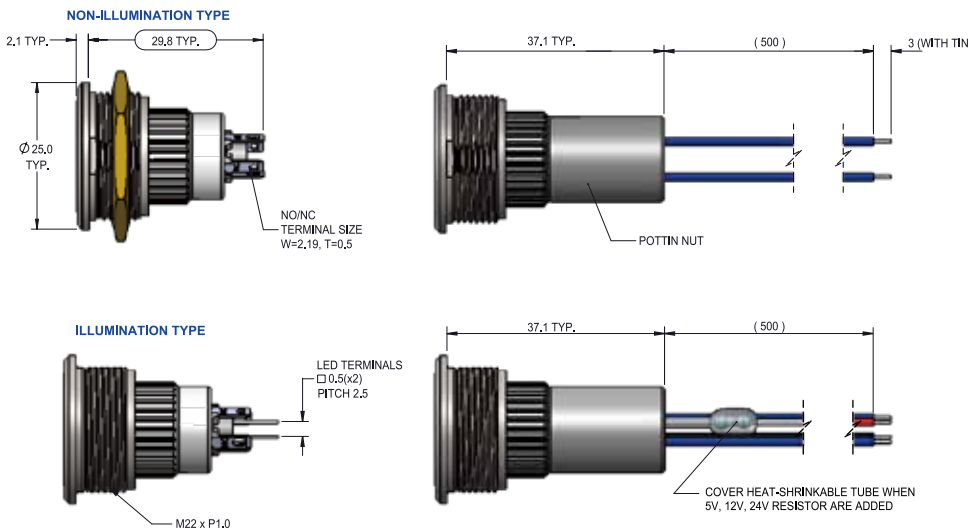
PRODUCT DRAWINGS



MOMENTARY TYPE



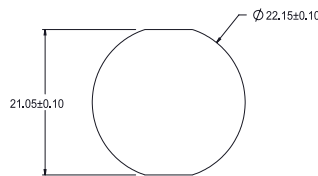
MAINTAINED TYPE



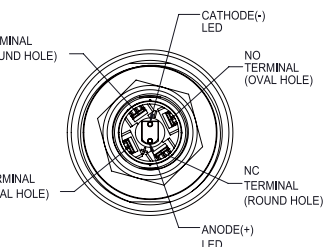
LED CODE	LED COLOR	CIRCUITRY	V _f (VDC)	I _f (mA)
R	RED		1.8~2.5	20
B	BLUE		2.8~3.5	20
G	GREEN		2.8~3.5	20
Y	YELLOW		1.8~2.5	20
W	WHITE		2.8~3.5	20

Notes:
 1.) Lead Soldering Temperature (4mm above from body) : 280°C for 5 seconds
 2.) Hand Soldering Temperature (4mm above from body) : 320°C for 3 seconds

WIRELEADS TYPE	WIRELEADS SPECIFICATION	SW TERMINAL		LED	
		NO	NC	+	-
ILLUMINATION	AWG24 / UL1007	BLUE	YELLOW	RED	BLACK
NON-ILLUMINATION		BLUE	YELLOW	-	-



RECOMMENDED PANEL CUT-OUT



DETAIL FOR TERMINAL POSITION

MECHANICAL / ELECTRICAL CHARACTERISTICS:

- Circuit:** SPDT-DB (Form X)
- Pretravel (Nominal):** 0.050 inches [1.27mm]
- Overtravel (Nominal):** 0.010 inches [0.25mm]
- Total Travel (Nominal):** 0.060 inches [1.52mm]
- Operating Force (Nominal):** 5.15N [525g]
- Release Force (Nominal):** 3.45N [340g]
- Panel Thickness:** 0.020" - 0.177" [0.5 - 4.5mm]
- Contacts:** Silver
- Nut Torque Force:** Max 10 lb-in [11.5 kgf-cm]
- Actuator Ingress Protection:** IP67 (Front Panel)
- Operating Temperature:** -40° to +185°F [-40° to +85°C]
- Current Ratings (Nominal):** 5A@ 28 VDC

ELECTRO-MECHANICAL:

- Dielectric Strength:** 1,000 VAC
- Insulation Resistance:** 1GΩ
- Contact Resistance:** Max 50mΩ (Non-Wirelead)
Max 250mΩ (Wirelead)